

1-5747299-6 ✓ ACTIVE

AMPLIMITE | AMPLIMITE HD-20

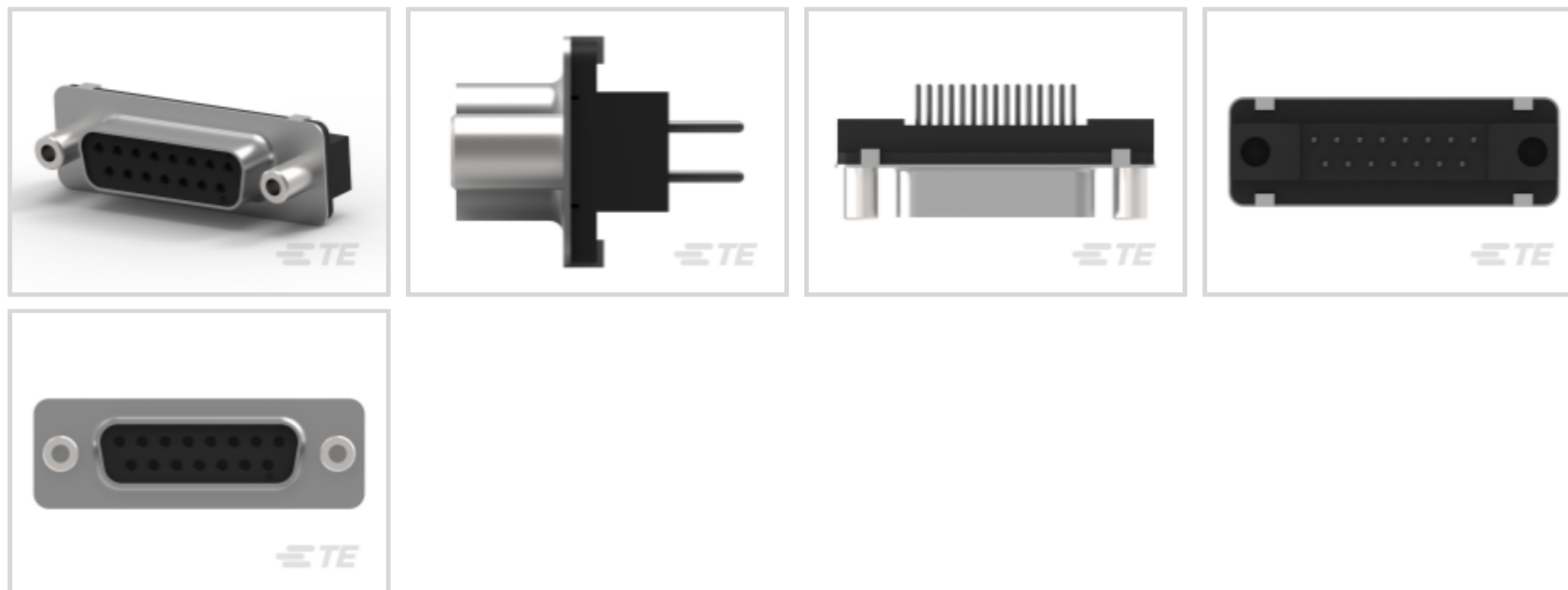
TE Internal #: 1-5747299-6

PCB D-Sub Connectors, Receptacle, Board-to-Board, 15 Position,
2.74 mm [.108 in] Centerline, 2 Row, Size 2, Round, Standard Profile,
AMPLIMITE HD-20

[View on TE.com >](#)



Connectors > D-Shaped Connectors > D-Sub Connectors > PCB D-Sub Connectors > D-Sub Receptacle Assembly: Vertical, Shell Size 2, 2.74mm



Connector & Housing Type: **Receptacle**

Connector System: **Board-to-Board**

Number of Positions: **15**

Centerline (Pitch): **2.74 mm [.108 in]**

Number of Rows: **2**

[All D-Sub Receptacle Assembly: Vertical, Shell Size 2, 2.74mm \(45\)](#)

Features

Product Type Features

Grounding Straps	Without
Grounding Indents	Without
Shell Type	Front Metal Shell
Connector & Housing Type	Receptacle
Connector System	Board-to-Board
D-Sub Shell Size	2
Sealable	No
Connector & Contact Terminates To	Printed Circuit Board
Product Type	Connector

Configuration Features

Number of Positions	15
Number of Rows	2
PCB Mount Orientation	Vertical



Preloaded	Yes
-----------	-----

Body Features

Plastic	No
---------	----

Insert Material	Brass
-----------------	-------

Female Screwlock Material	Zinc
---------------------------	------

Connector Profile	Standard
-------------------	----------

Shell Material	Carbon Steel
----------------	--------------

Shell Plating Material	Tin
------------------------	-----

Post Size	.66 mm[.026 in]
-----------	-----------------

Contact Features

Contact Mating Area Plating Material	Gold
--------------------------------------	------

Contact Underplating Material	Nickel
-------------------------------	--------

PCB Contact Termination Area Plating Material	Tin
---	-----

Contact Base Material	Phosphor Bronze
-----------------------	-----------------

Contact Shape & Form	Round
----------------------	-------

Contact Current Rating (Max)	6 A
------------------------------	-----

	30 μ m
--	------------

Termination Features

Grounding Clips	Without
-----------------	---------

Termination Method to Printed Circuit Board	Through Hole - Solder
---	-----------------------

Termination Post Length	4.32 mm[.17 in]
-------------------------	-----------------

Mechanical Attachment

Panel Mount Feature	Without
---------------------	---------

PCB Mount Retention	With
---------------------	------

PCB Mount Retention Type	Mounting Hole
--------------------------	---------------

Mating Retention	With
------------------	------

Mating Retention Type	Female Screwlocks, Fixed
-----------------------	--------------------------

Connector Mounting Type	Board Mount
-------------------------	-------------

Mounting Hole Diameter	3.05 mm[.12 in]
------------------------	-----------------

Housing Features

Centerline (Pitch)	2.74 mm[.108 in]
--------------------	------------------

Housing Material	Polyester
------------------	-----------



Housing Color	Black
---------------	-------

Dimensions

Row-to-Row Spacing	2.84 mm [.112 in]
PCB Thickness (Recommended)	2.36 – 3.18 mm [.062 – .125 in]

Usage Conditions

Operating Temperature Range	-55 – 105 °C [-67 – 221 °F]
-----------------------------	-----------------------------

Operation/Application

Circuit Application	Signal
---------------------	--------

Industry Standards

UL Flammability Rating	UL 94V-0
------------------------	----------

Packaging Features

Packaging Method	Tube
Packaging Quantity	13

Other

Comment	All receptacles are preloaded with size 20 DF posted socket contacts
---------	--

Product Compliance

[For compliance documentation, visit the product page on TE.com>](#)

EU RoHS Directive 2011/65/EU	Compliant
EU ELV Directive 2000/53/EC	Compliant
China RoHS 2 Directive MIIT Order No 32, 2016	No Restricted Materials Above Threshold
EU REACH Regulation (EC) No. 1907/2006	Current ECHA Candidate List: JUNE 2022 (224) Candidate List Declared Against: JUNE 2022 (224) Does not contain REACH SVHC
Halogen Content	Not Low Halogen - contains Br or Cl > 900 ppm.
Solder Process Capability	Wave solder capable to 265°C

Product Compliance Disclaimer

This information is provided based on reasonable inquiry of our suppliers and represents our current actual knowledge based on the information they provided. This information is subject to change. The part numbers that TE has identified as EU RoHS compliant have a maximum concentration of 0.1% by weight in homogenous materials for lead, hexavalent chromium, mercury, PBB, PBDE, DBP, BBP, DEHP, DIBP, and 0.01% for cadmium, or qualify for an exemption to these limits as defined in the Annexes of Directive 2011/65/EU (RoHS2). Finished electrical and electronic equipment products

will be CE marked as required by Directive 2011/65/EU. Components may not be CE marked. Additionally, the part numbers that TE has identified as EU ELV compliant have a maximum concentration of 0.1% by weight in homogenous materials for lead, hexavalent chromium, and mercury, and 0.01% for cadmium, or qualify for an exemption to these limits as defined in the Annexes of Directive 2000/53/EC (ELV). Regarding the REACH Regulation, the information TE provides on SVHC in articles for this part number is based on the latest European Chemicals Agency (ECHA) 'Guidance on requirements for substances in articles' posted at this URL: <https://echa.europa.eu/guidance-documents/guidance-on-reach>

Compatible Parts



Also in the Series | AMPLIMITE HD-20



Documents

Product Drawings

[15 RCPT SP/FMS SCRLK](#)

English

CAD Files

[3D PDF](#)

3D

Customer View Model

[ENG_CVM_CVM_1-5747299-6_C.2d_dxf.zip](#)

English

Customer View Model

[ENG_CVM_CVM_1-5747299-6_C.3d_igs.zip](#)

English

Customer View Model

[ENG_CVM_CVM_1-5747299-6_C.3d_stp.zip](#)

English



Datasheets & Catalog Pages

[AMPLIMITE Subminiature D Connectors - Straight Posted Connectors](#)

English

Product Specifications

[Application Specification](#)

English

Product Environmental Compliance

[MD_1-5747299-6_090520171014_dmtec](#)

English

[MD_1-5747299-6_090520171014_dmtec](#)

English

Agency Approvals

[UL Report](#)

English